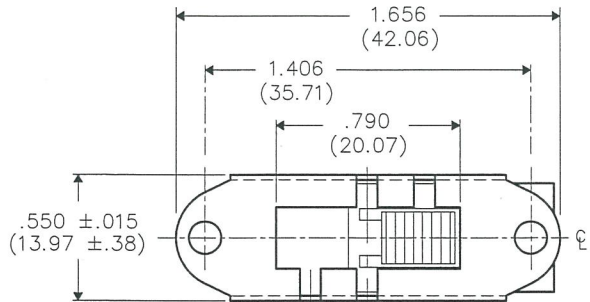


THIS INFORMATION IS CONFIDENTIAL AND PROPRIETARY TO CW INDUSTRIES INCORPORATED AND ITS AFFILIATES. IT MAY NOT BE DISCLOSED TO ANYONE OTHER THAN CW INDUSTRIES PERSONNEL, WITHOUT WRITTEN AUTHORIZATION FROM CW INDUSTRIES INCORPORATED, SOUTHAMPTON, PENNSYLVANIA USA.

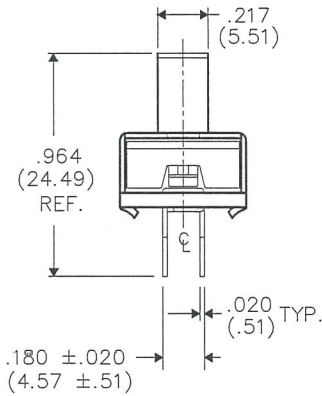
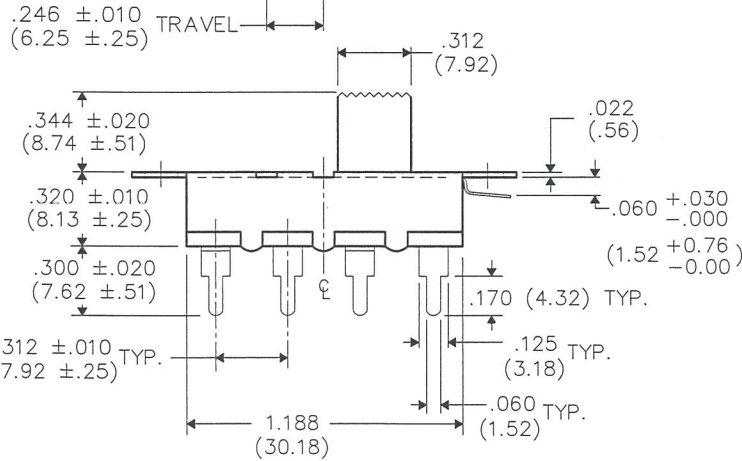
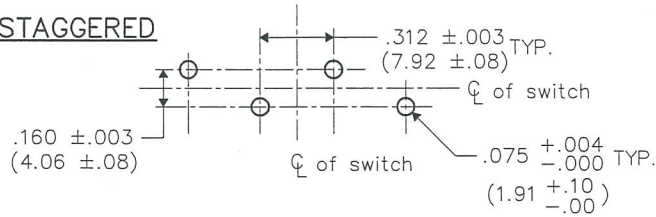
DIMENSIONS IN INCHES (MILLIMETERS)  
DO NOT SCALE DRAWING .....

Dwg. No.  
**G-329L-0001**



**P.C. LAYOUT**

**STAGGERED**



1      2      3      4      5      6      7      8      9      10

B-FORMAT 2002  
**REVISIONS**  
O  
RELEASED: DGW 1-25-2016  
JAN 28 2016

**CW INDUSTRIES**  
Southampton, Pa. 18966

Title: **SLIDE SWITCH ASSEMBLY S.P. - 3 POS.**

TOLERANCES UNLESS OTHERWISE SPECIFIED  
2 Place Decimal ±.010 METRIC  
3 Place Decimal ±.005 1 Place Dec. ±.25mm  
Angles ..... ±1' 2 Place Dec. ±.13mm

Made for: CW IND.  
Drawn by: DGW 1-25-2016  
Checked by: *G. GULD 1-27-16*  
Approval: *G. GULD 1-27-16*

Division: **SWITCH**  
Dwg. No. **G-329L-0001**

MASTER